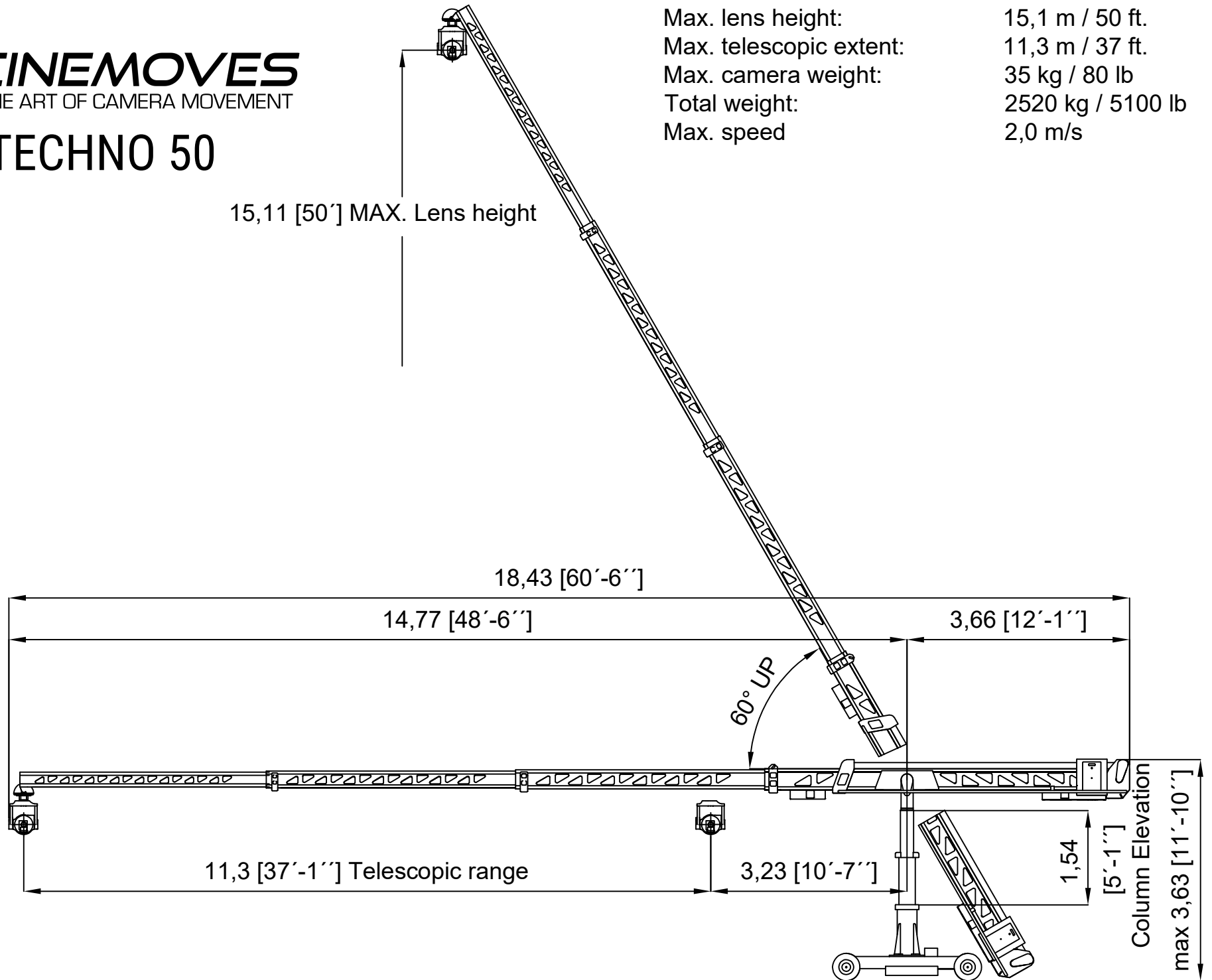




SUPERTECHNO 50

Max. lens height:	15,1 m / 50 ft.
Max. telescopic extent:	11,3 m / 37 ft.
Max. camera weight:	35 kg / 80 lb
Total weight:	2520 kg / 5100 lb
Max. speed:	2,0 m/s

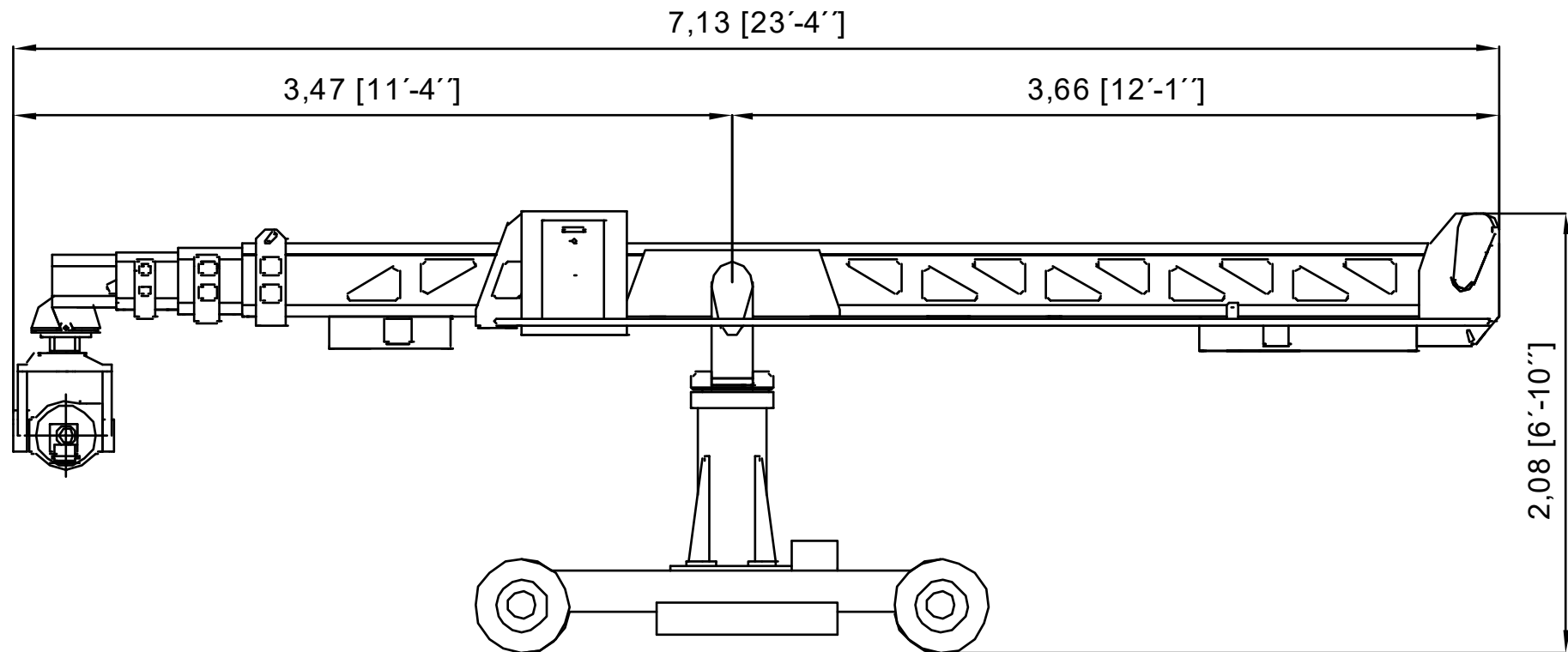
15,11 [50'] MAX. Lens height





SUPERTECHNO 50

Max. lens height:	15,1 m / 50 ft.
Max. telescopic extent:	11,3 m / 37 ft.
Max. camera weight:	35 kg / 80 lb
Total weight:	2520 kg / 5100 lb
Max. speed:	2,0 m/s





SUPERTECHNO 50

Max. lens height:	15,1 m / 50 ft.
Max. telescopic extent:	11,3 m / 37 ft.
Max. camera weight:	35 kg / 80 lb
Total weight:	2520 kg / 5100 lb
Max. speed:	2,0 m/s

