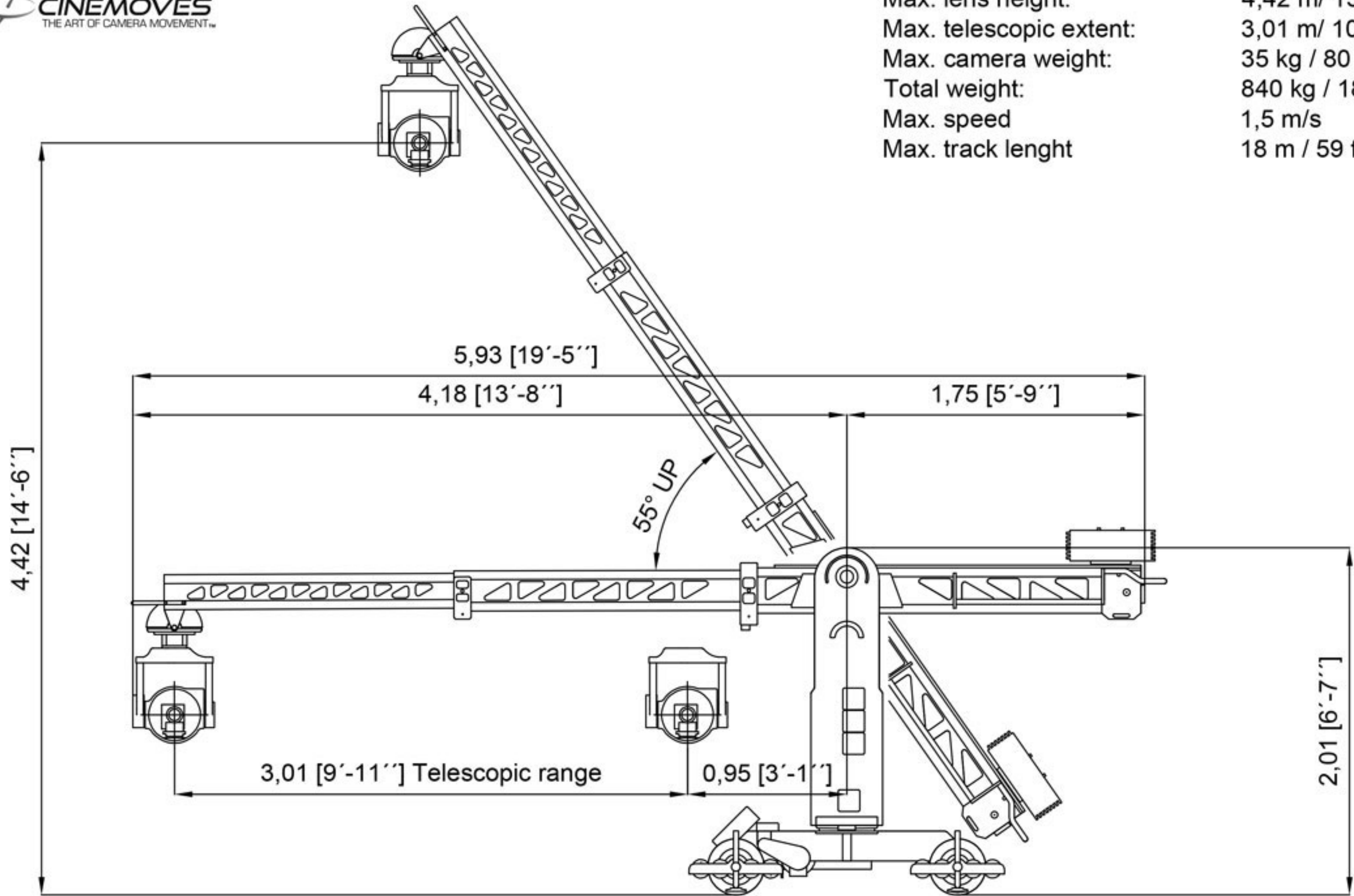


Max. lens height: 4,42 m / 15 ft.
Max. telescopic extent: 3,01 m / 10 ft.
Max. camera weight: 35 kg / 80 lb
Total weight: 840 kg / 1850 lb
Max. speed: 1,5 m/s
Max. track length: 18 m / 59 ft.



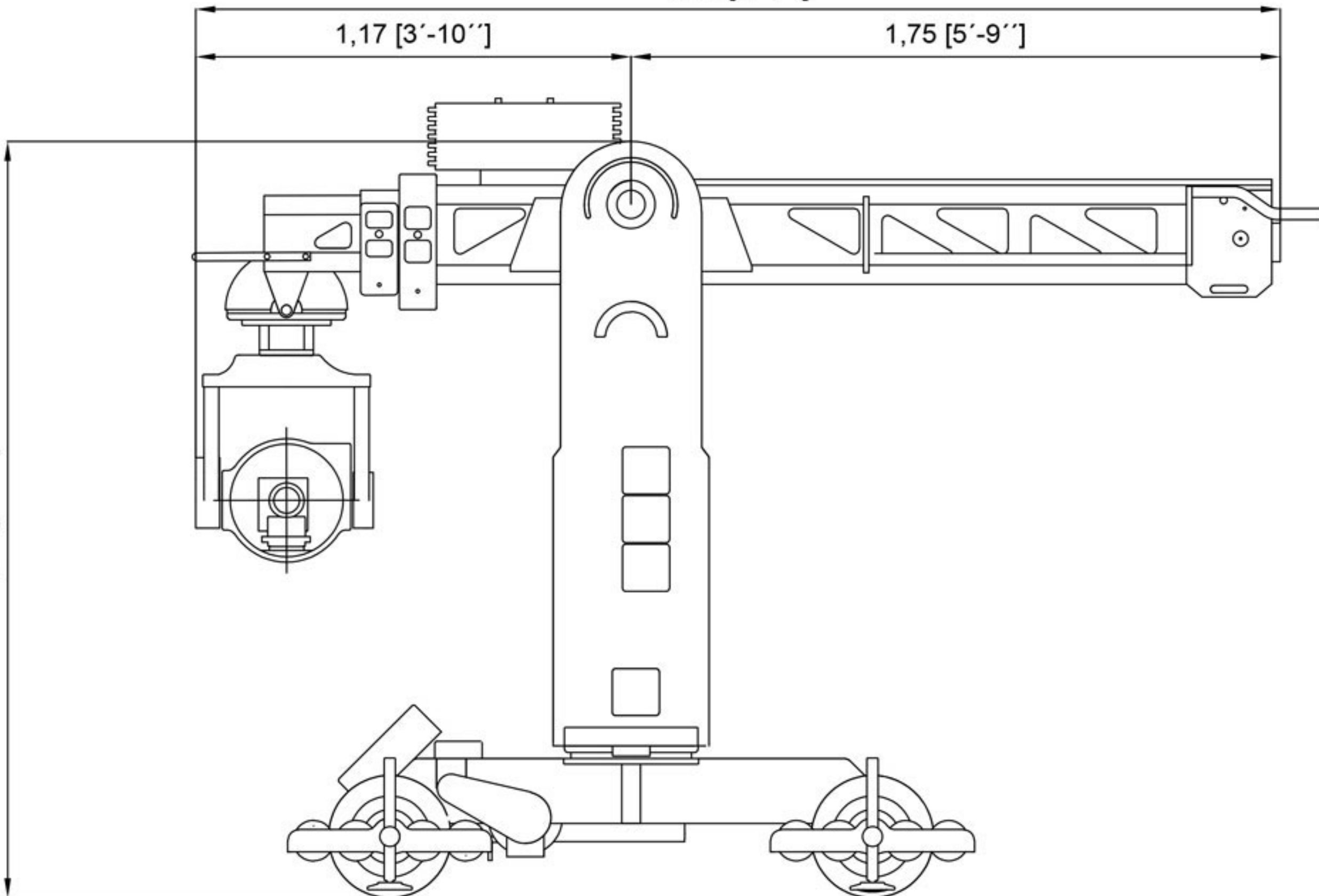
Max. lens height: 4,42 m / 15 ft.
Max. telescopic extent: 3,01 m / 10 ft.
Max. camera weight: 35 kg / 80 lb
Total weight: 840 kg / 1850 lb
Max. speed: 1,5 m/s
Max. track length: 18 m / 59 ft.

2,92 [9'-7"]

1,17 [3'-10"]

1,75 [5'-9"]

2,01 [6'-7"]



Max. lens height:	4,42 m / 15 ft.
Max. telescopic extent:	3,01 m / 10 ft.
Max. camera weight:	35 kg / 80 lb
Total weight:	840 kg / 1850 lb
Max. speed:	1,5 m/s
Max. track length:	18 m / 59 ft.

